



We Tame Photons to Work for You!



Products

Search Tools

Solutions

Literature

Tech Notes

Support

Corporate

Products > LED Indicators > Panel Indicators > Rectangular > 2mm x 5mm



### Features / Options

- ▶ Bi-Color Styles Optional
- ▶ State-of-the-Art, LED Technology
- ▶ Choice of LED Colors and Lens Finishes
- ▶ Insulated Lead Lengths Optional
- ▶ Easy installation through panel

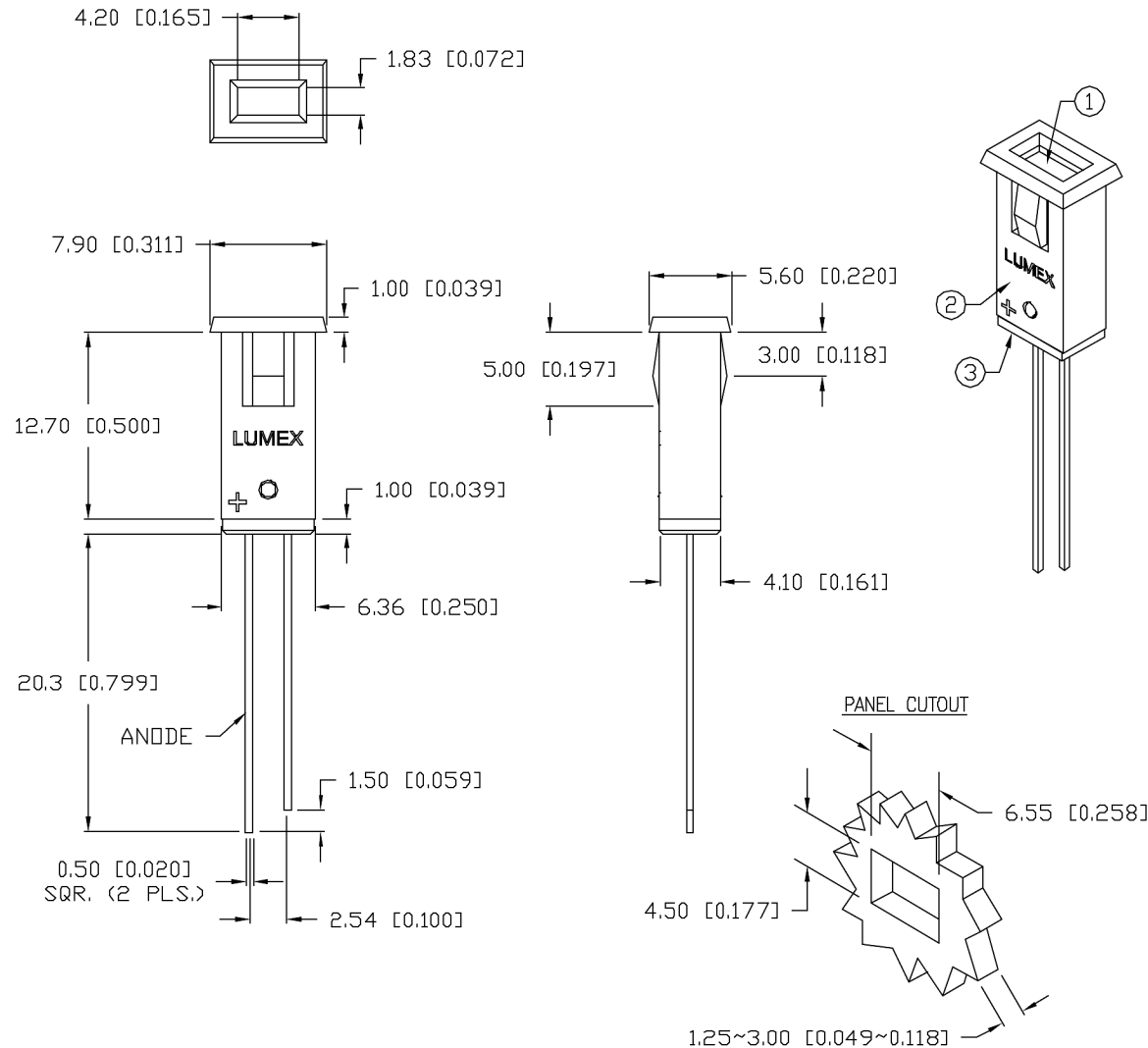
### Applications / Uses

- ▶ Front Panel Status Indicators
- ▶ Alarm/Warning Indicators
- ▶ Front Panel Circuit Fault Indicators
- ▶ Instrument Control Panels
- ▶ Medical Diagnostics Indicators
- ▶ Industrial Automation Control Panels

Part Number:	Brightness	Material	Emitted Color	Wavelength	Intensity	View Angle	Voltage
SSI-LXMP059BID	STANDARD	GaAsP	Blinking Red	635	10	110	2.0
SSI-LXMP059BID-150	STANDARD	GaAsP	Blinking Red	635	10	110	3.0
SSI-LXMP059GD	STANDARD	GaP	Green	565	10	110	2.2
SSI-LXMP059GD-150	STANDARD	GaP	Green	565	10	110	2.2
SSI-LXMP059HGW	STANDARD	GaP	Red/ Green	700/565	4/10	110	2.0/2.2
SSI-LXMP059HGW-150	STANDARD	GaP	Red/ Green	700/565	4/7	110	2.0/2.2
SSI-LXMP059ID	STANDARD	GaAsP	Red	635	10	110	2.0
SSI-LXMP059ID-150	STANDARD	GaAsP	Red	635	10	110	2.0
SSI-LXMP059SID-150	HIGH	AlInGaP	Red	636	80	110	2.0
SSI-LXMP059SOD-150	HIGH	AlInGaP	Orange	610	80	110	2.0
SSI-LXMP059SRD	HIGH	GaAIAs	Red	660	25	110	1.7

SSI-LXMP059SRD-150		HIGH	GaAlAs	Red	660	25	110	1.7
SSI-LXMP059SUGD150		HIGH	AlInGaP	Green	574	65	110	2.2
SSI-LXMP059SYD-150		HIGH	AlInGaP	Yellow	590	80	110	2.1
SSI-LXMP059USB150		HIGH	InGaN	Blue	470	50	110	3.5
SSI-LXMP059YD		STANDARD	GaAsP	Yellow	585	10	110	2.1
SSI-LXMP059YD-150		STANDARD	GaAsP	Yellow	585	10	110	2.1

REV.	E.C.N. NUMBER AND REVISION COMMENTS	DATE
A	ADDED DIMS, NOTES AND UPDATED SPECS.	12.19.94
B	E.C.N. #10122.	6.27.96
C	E.C.N. #10BRDR. & REDRAWN IN 3D.	1.7.02



ELECTRO-OPTICAL CHARACTERISTICS  $T_A=25^{\circ}\text{C}$   $I_f=20\text{mA}$

PARAMETER	MIN	TYP	MAX	UNITS	TEST COND
PEAK WAVELENGTH		660		nm	
FORWARD VOLTAGE		1.7	2.2	$V_f$	
REVERSE VOLTAGE	4.0			$V_r$	$I_f=100\mu\text{A}$
AXIAL INTENSITY		25		mcd	$I_f=20\text{mA}$
VIEWING ANGLE		110		$2x$ theta	
EMITTED COLOR:	RED				
EPOXY LENS FINISH:	RED DIFFUSED				

LIMITS OF SAFE OPERATION AT  $25^{\circ}\text{C}$

PARAMETER	MAX	UNITS
PEAK FORWARD CURRENT*	150	mA
STEADY CURRENT	30	mA
POWER DISSIPATION	100	mW
DERATE FROM $25^{\circ}\text{C}$	-1.2	mW/ $^{\circ}\text{C}$
OPERATING, STORAGE TEMP.	-40 TO +85	$^{\circ}\text{C}$
SOLDERING TEMP.	+260	$^{\circ}\text{C}$
2.0mm FROM BODY		3 SEC. MAX

\*  $t < 10\mu\text{S}$

NOTES:

1. SSL-LX2573SRD, RED LED.
2. SSH-LXMP059-HSG, BLACK HOUSING.
3. SSH-LXMP059-BSG, BLACK BUSHING.

\*UNLESS OTHERWISE SPECIFIED TOLERANCES PER DECIMAL PRECISION ARE: X=±1 (±0.039), X.X=±0.5 (±0.020), X.XX=±0.25 (±0.010), X.XXX=±0.127 (±0.005). LEAD SIZE=±0.05 (±0.002), LEAD LENGTH=±0.75 (±0.030). MIN.=+DECIMAL PRECISION MAX.=+0.00 -DECIMAL PRECISION

REV.  
C

PART NUMBER  
SSI-LXMP059SRD

660nm SUPER RED RECTANGULAR PANEL INDICATOR,  
RED DIFFUSED LENS.

CONFIDENTIAL INFORMATION  
THE INFORMATION CONTAINED IN THIS DOCUMENT IS THE PROPERTY OF LUMEX INC. EXCEPT AS SPECIFICALLY AUTHORIZED IN WRITING BY LUMEX INC., THE HOLDER OF THIS DOCUMENT SHALL KEEP ALL INFORMATION CONTAINED HEREIN CONFIDENTIAL AND SHALL PROTECT SAME IN WHOLE OR IN PART FROM DISCLOSURE AND DISSEMINATION TO ALL THIRD PARTIES.

RELIABILITY NOTE

OUR MANY YEARS OF EXPERIENCE DATA ACCUMULATION INDICATE THAT SOLDER HEAT IS A MAJOR CAUSE OF EARLY AND FUTURE FAILURE. PLEASE PAY ATTENTION TO YOUR SOLDERING PROCESS.

